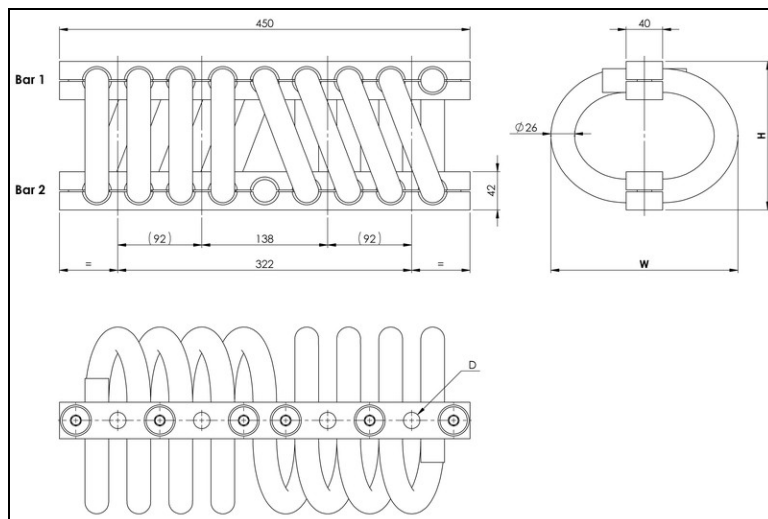


WIRE ROPE ISOLATORS: 'HELICAL'

DEFINITION
series CB1800



- All metal multidirectional anti-vibration/shock mounts
- Exceptional reliability and long life
- High damping
- No aging
- Corrosion resistant
- Unequalled temperature range : -180°C to +300°C / -290F to 570 F
- Great adaptability/versatility

Specials on request

(material size and number of loops, etc.)

Dimensions are in millimeters. For reference only

SERIES
Materials and finishes (meets RoHS requirements)
CB1800
Cable: stainless steel galvanized available: CBG
Retainer bars: aluminium alloy/ SurTec
Screws: alloy steel/ zinc plate
Inserts: stainless steel
All stainless steel: CBSS
Other materials on request

MODEL			
	height H (mm)	width W (mm)	weight (kg)
-12	133	172	11,7
-15	147	187	12,7
-17	163	205	14,0
-20	182	225	15,3
-30	203	249	17,0
-40	228	276	18,8
-50	256	308	20,9

INTERFACES			
fixtures holes D	Bar 1		
	4 through holes ø17,5mm	4 through holes ø17,5mm counter-sunk 90°	4 inserts M16
Bar 2			
4 through holes ø17,5mm	no suffix	not standard	not standard
4 through holes ø17,5mm counter-sunk 90°	CM	CM2	not standard
4 inserts M16	IM	CIM	IM2

C B 1 8 0 0 - 1 2 C I M

SERIE: CB1800

'Helical' mount from the CB1800 series

MODEL: -12

height: 133mm

width: 172mm

weight: 11,7kg

loops: serie

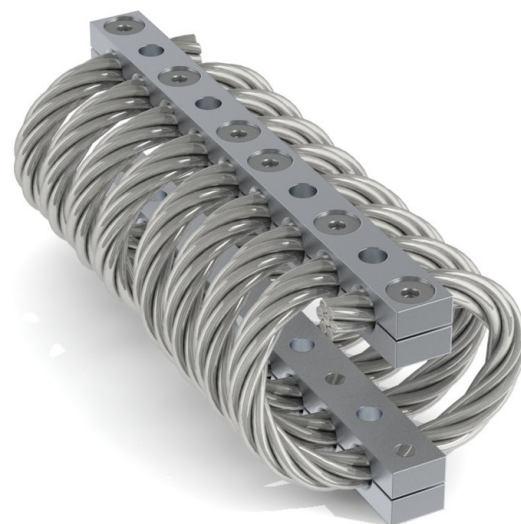
standard is 08 loops

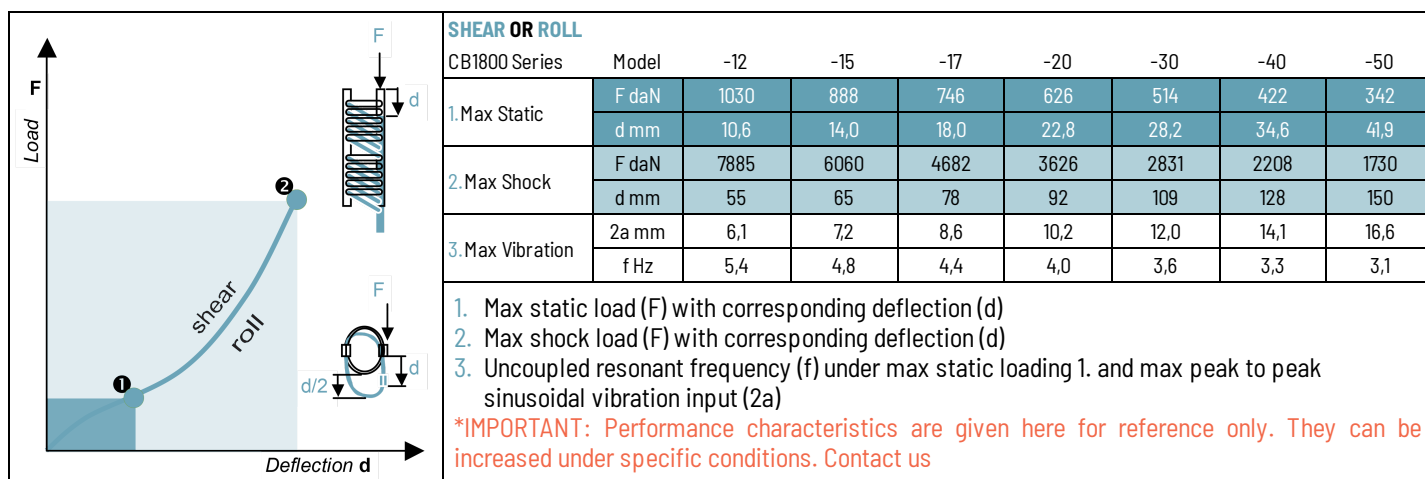
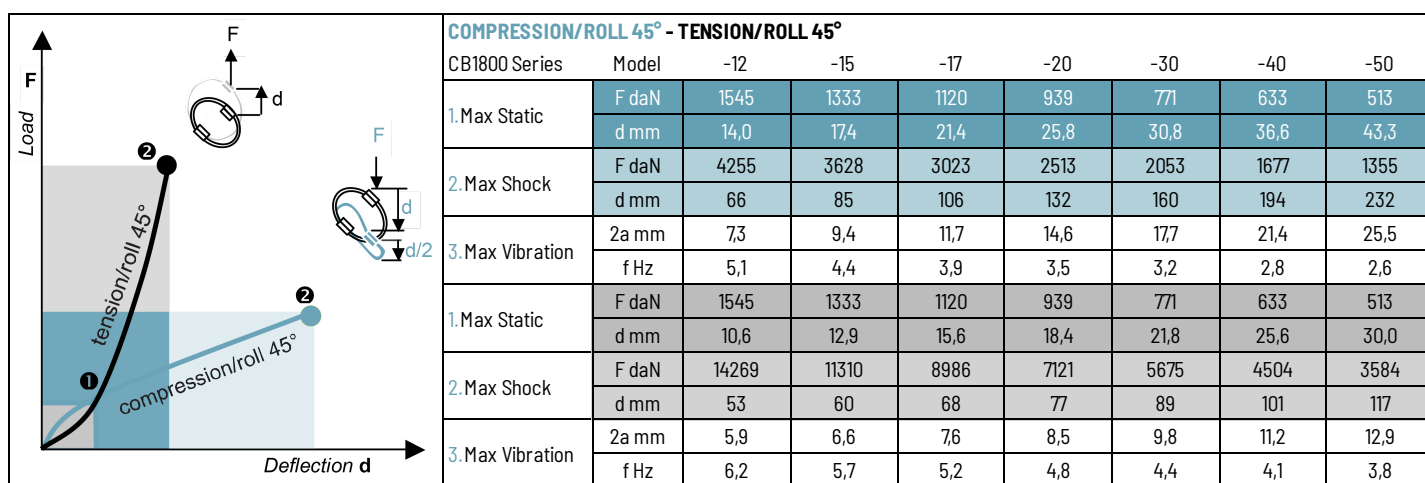
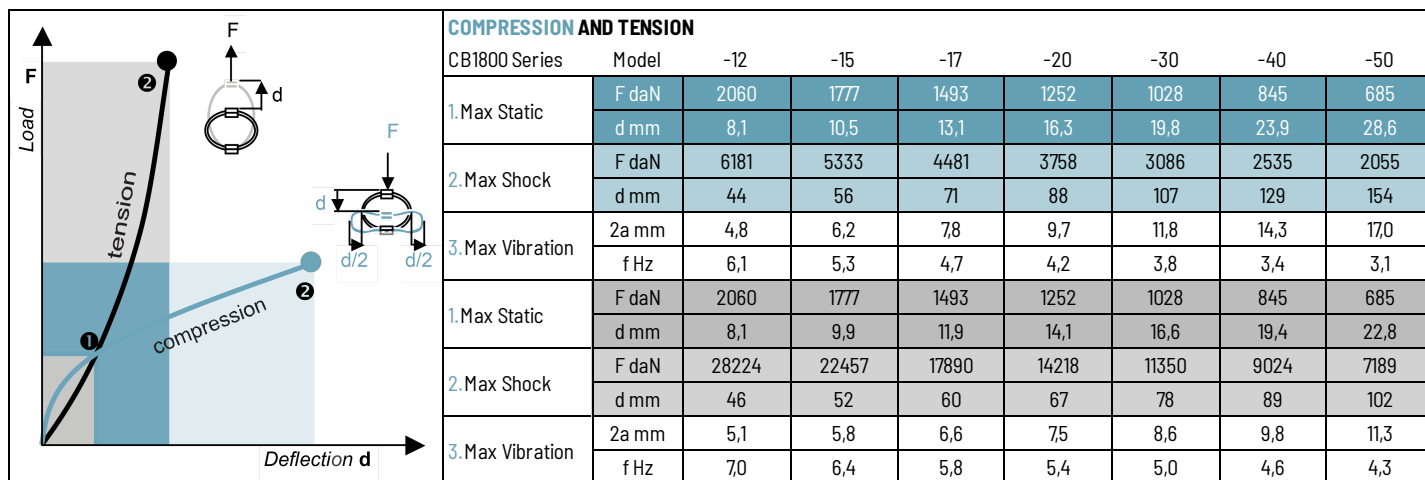
INTERFACE: CIM

4 through holes ø17,5mm

counter-sunk 90° in bar 1,

4 inserts M16 in bar 2





TYPICAL SHOCK/VIBRATION SPECIFICATIONS:

Air	AIR 7306, MIL-E-5400, MIL-C-172, MIL-STD-810
Ground Forces	GAM EG13A, SEFT 001, MIL-STD-810, VG 9533
Marine	GAM EG13C, IT25-21/96-31/15-86, MIL-S-167, MIL-S-901, STANAG 042, BV 043.73, BV 044
Others	GAM EMB1, GAM EMBT4, DEF STAN 07-55, IEC 571, FINABEL 2C